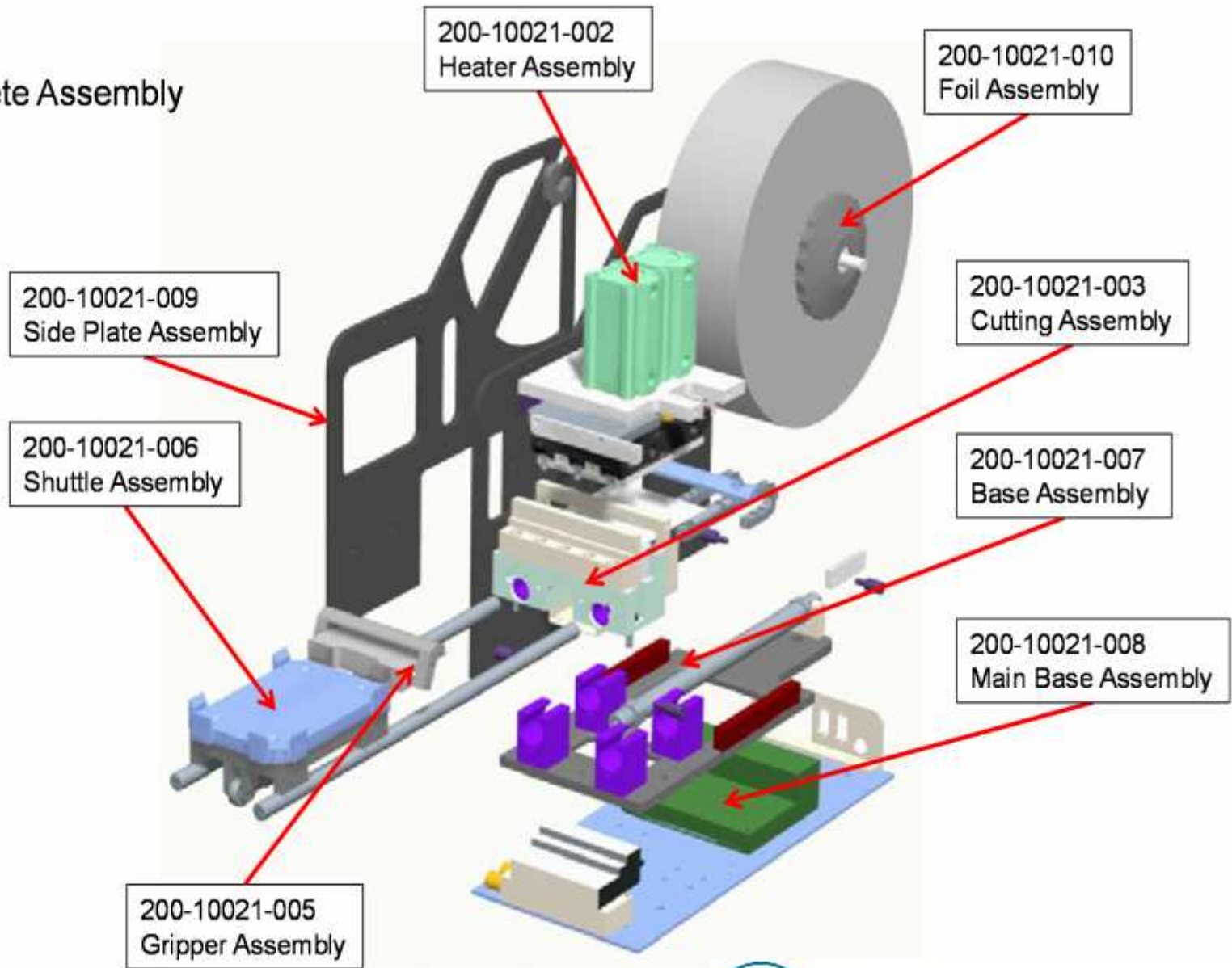


Wasp Complete Assembly



Wasp
Cover Assembly
200-10021-011KB

1010-28121-513KB
Fan Cup Preventer

5050-10012
Fan

1010-28121-024 KB
Main Cover

1010-28121-026
Cover Tail

150-10021-001KV2
Display inc Bezel
& software

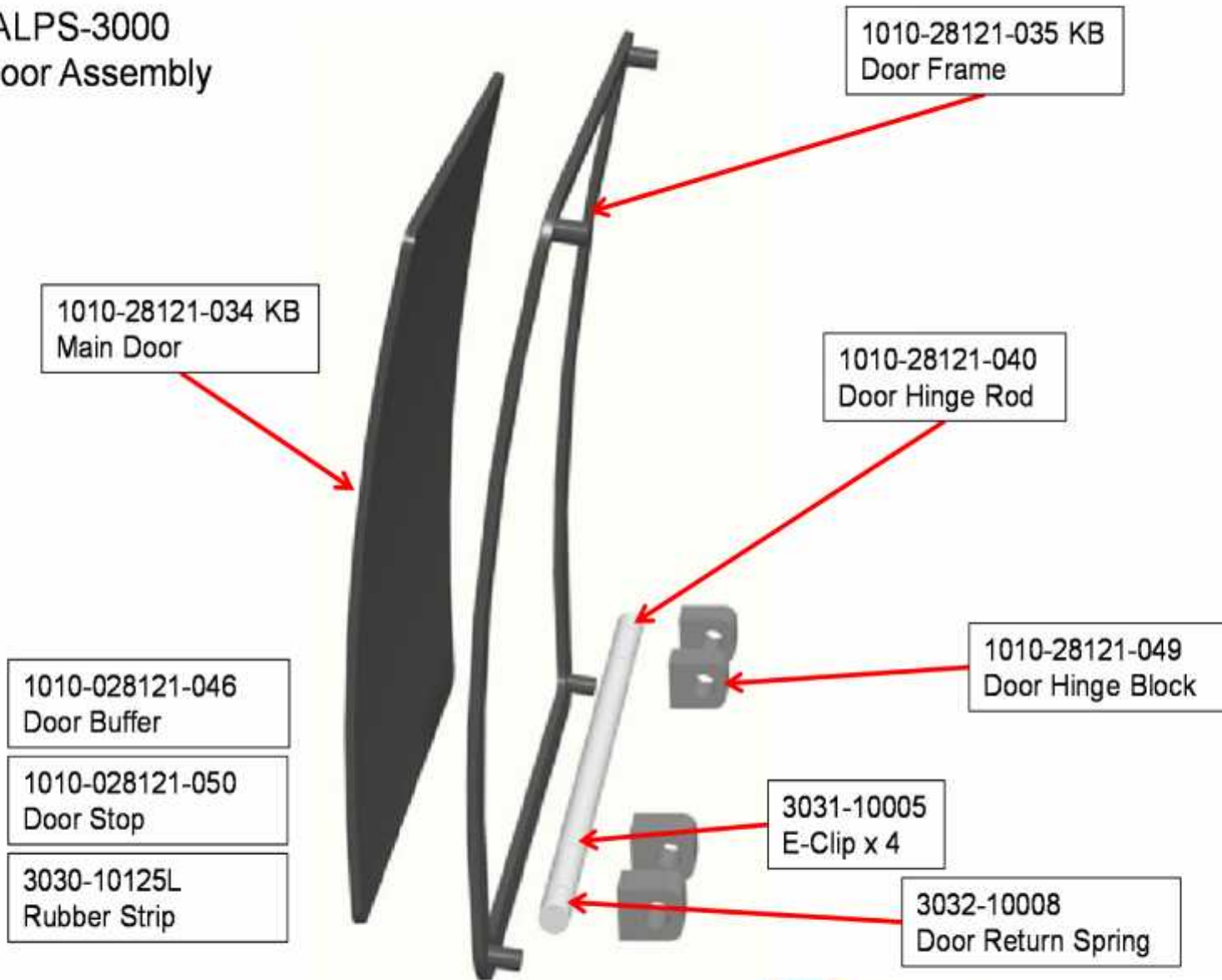
1010-28121-110KB
Display Bezel

150-10021-018
Display Screen Cable

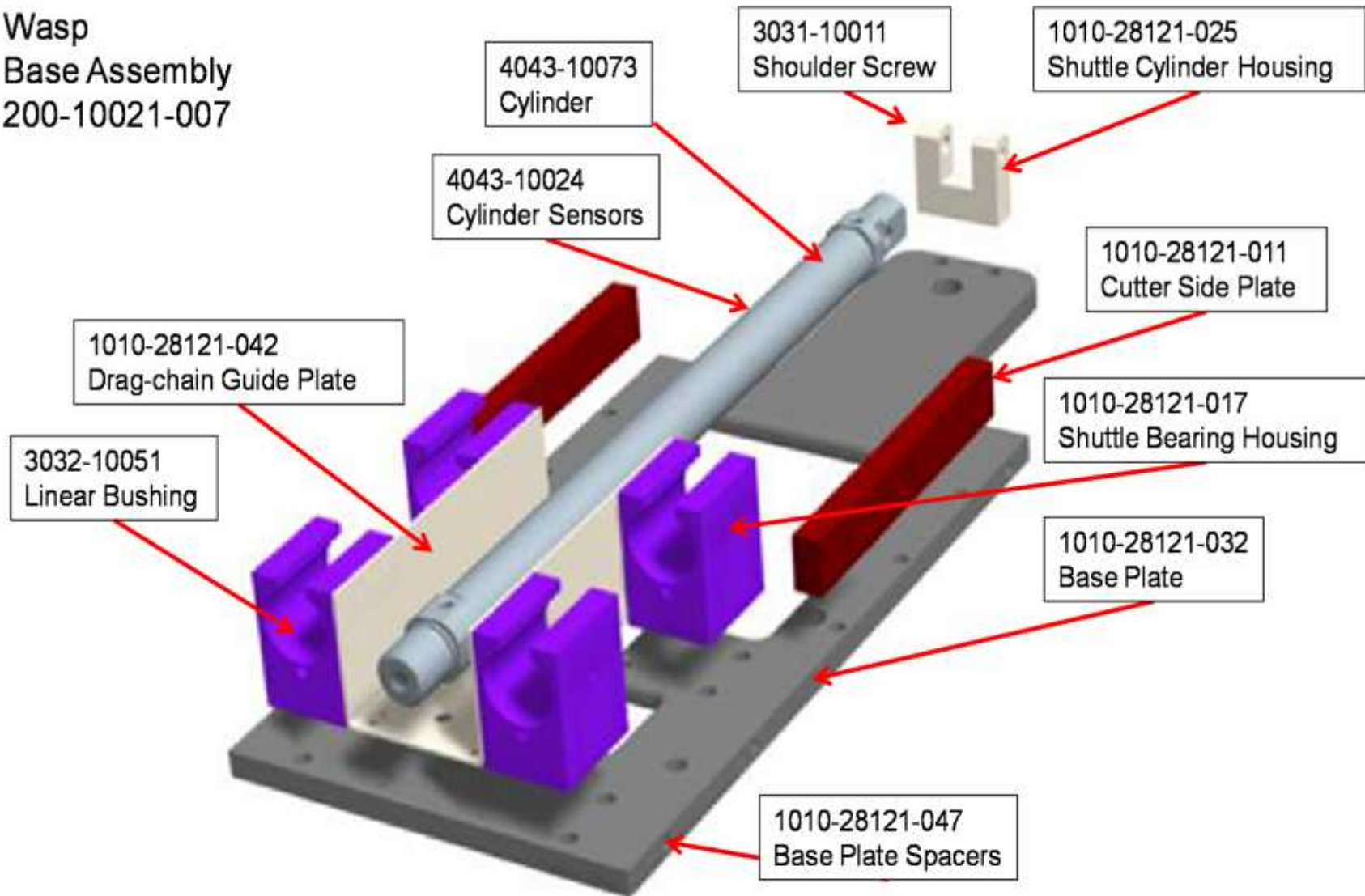
1010-28121-053 KB
Service Cover Left

1010-28121-062
Cover Screw X 3

Wasp/ALPS-3000
Main Door Assembly



Wasp
Base Assembly
200-10021-007



Wasp Shuttle Assembly
200-10021-015

200-10021-005
Gripper Assembly

1010-28121-009
Foil Ramp

1010-28121-010
Foil Clamp
1010-28121-052
Gripper Base

3031-10082
Shoulder Screw

1010-28121-012
Plate Shuttle

1010-28121-014
Shuttle Base Plate

3032-10114
Self Compensating
Shock Absorber

1010-28121-036
Gripper Knuckle

1010-28121-015
Shuttle Rod

3031-10008
Shoulder Screw

5050-10359
Drag-chain

4043-10029
Knuckle End

4043-10060
Cylinder

**Wasp
Heater Assembly
200-10021-002**

4044-10024
Vacuum Switch

4044-10023
Vacuum Generator

4043-10013
Sealing/Cutter Cylinder

4043-10023
Cylinder sensors

6060-10414
PCB

6060-10103
Insulator PCB

1010-28121-003
Heater Spacer

1010-28121-041
Drag-chain Bracket

1010-28121-005
Main Support Block

1010-28121-001
Heater Block

5052-10138
Thermal Cut-out

1010-28121-002
Heater Support Plate

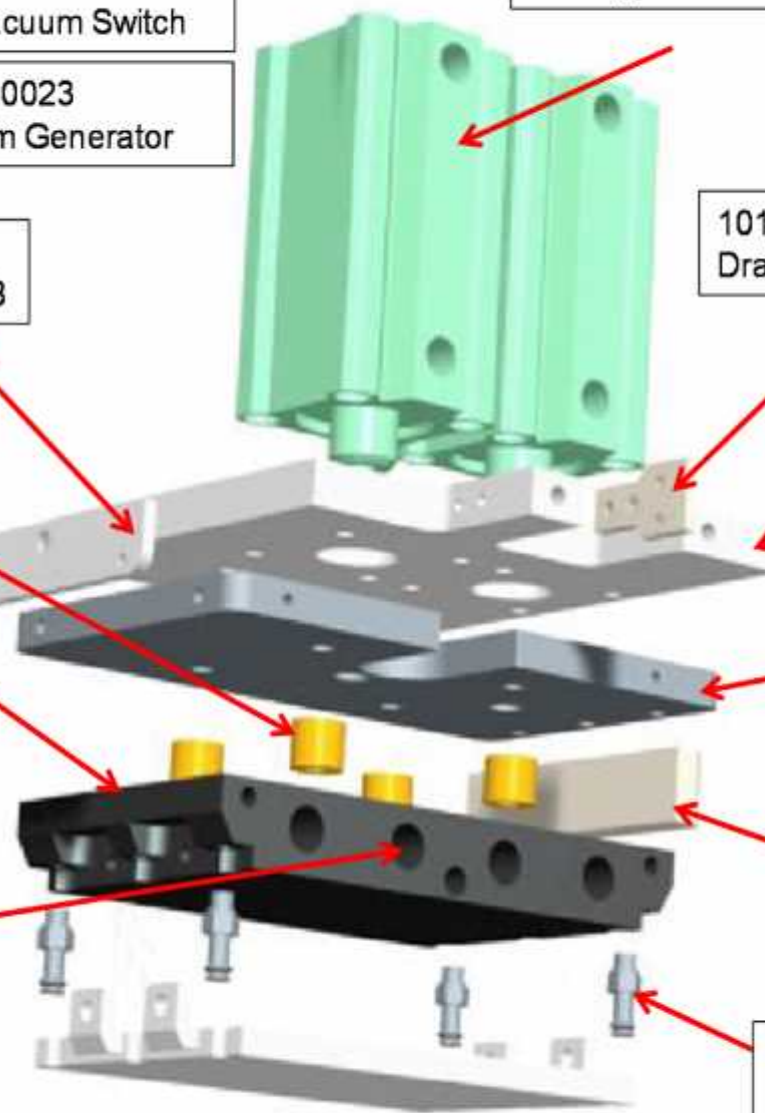
5051-PK0004
Heater Kit
Comprising of items shown below

Heater cartridge
5056-10001

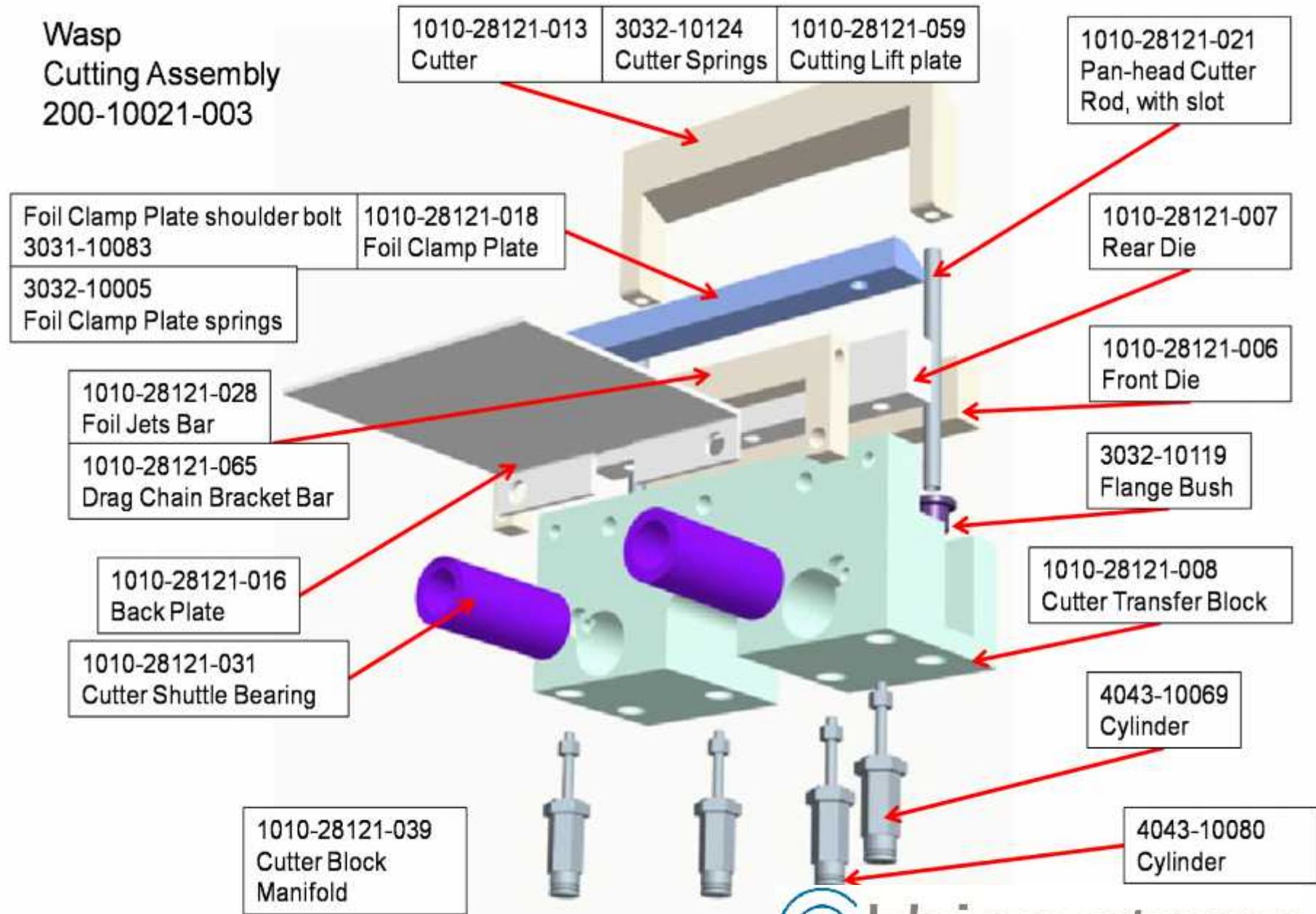
Thermocouple
5051-10003

1010-28121-004
Cutter Support Plate

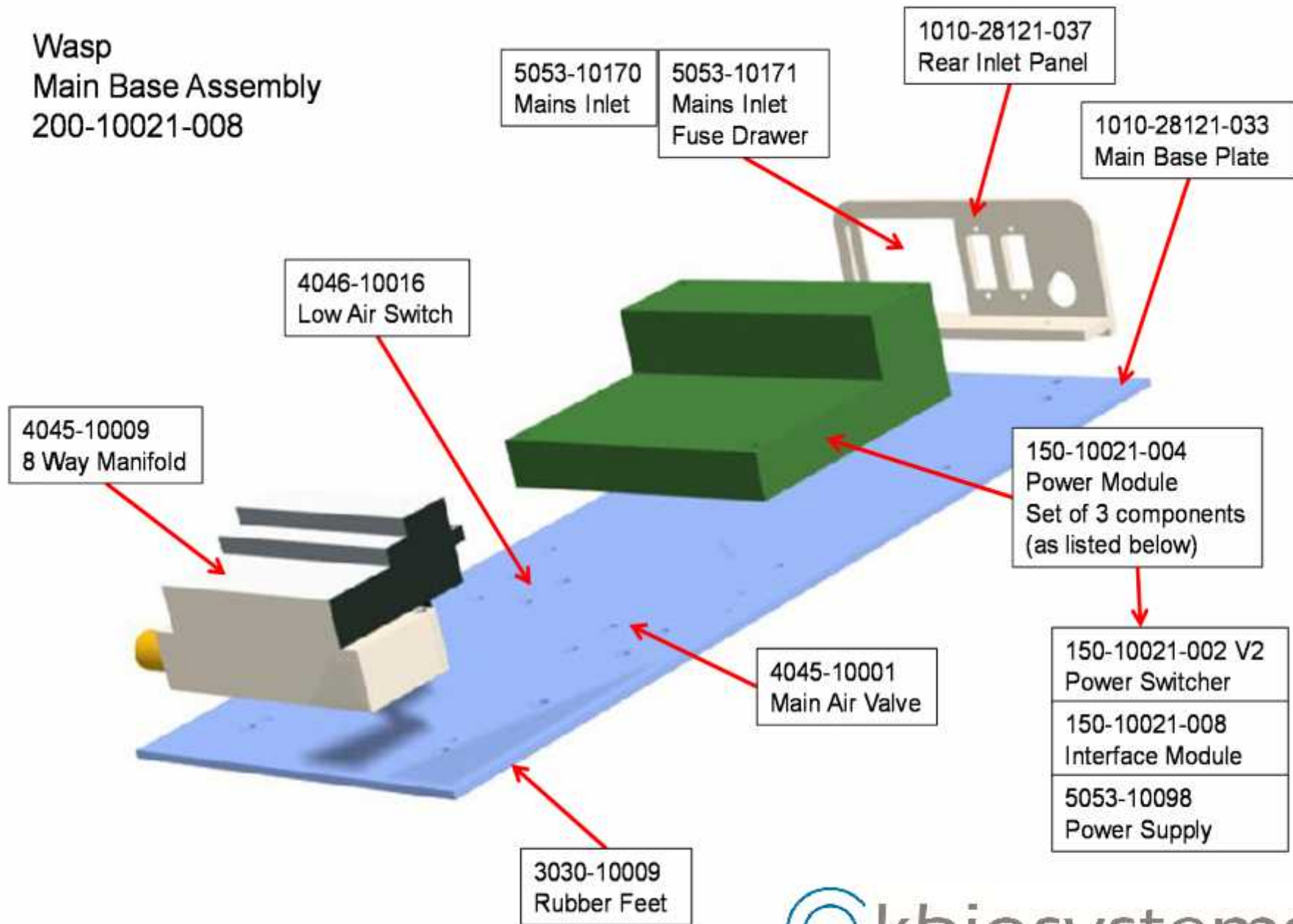
4044-10022
Vacuum Cup & Fitting



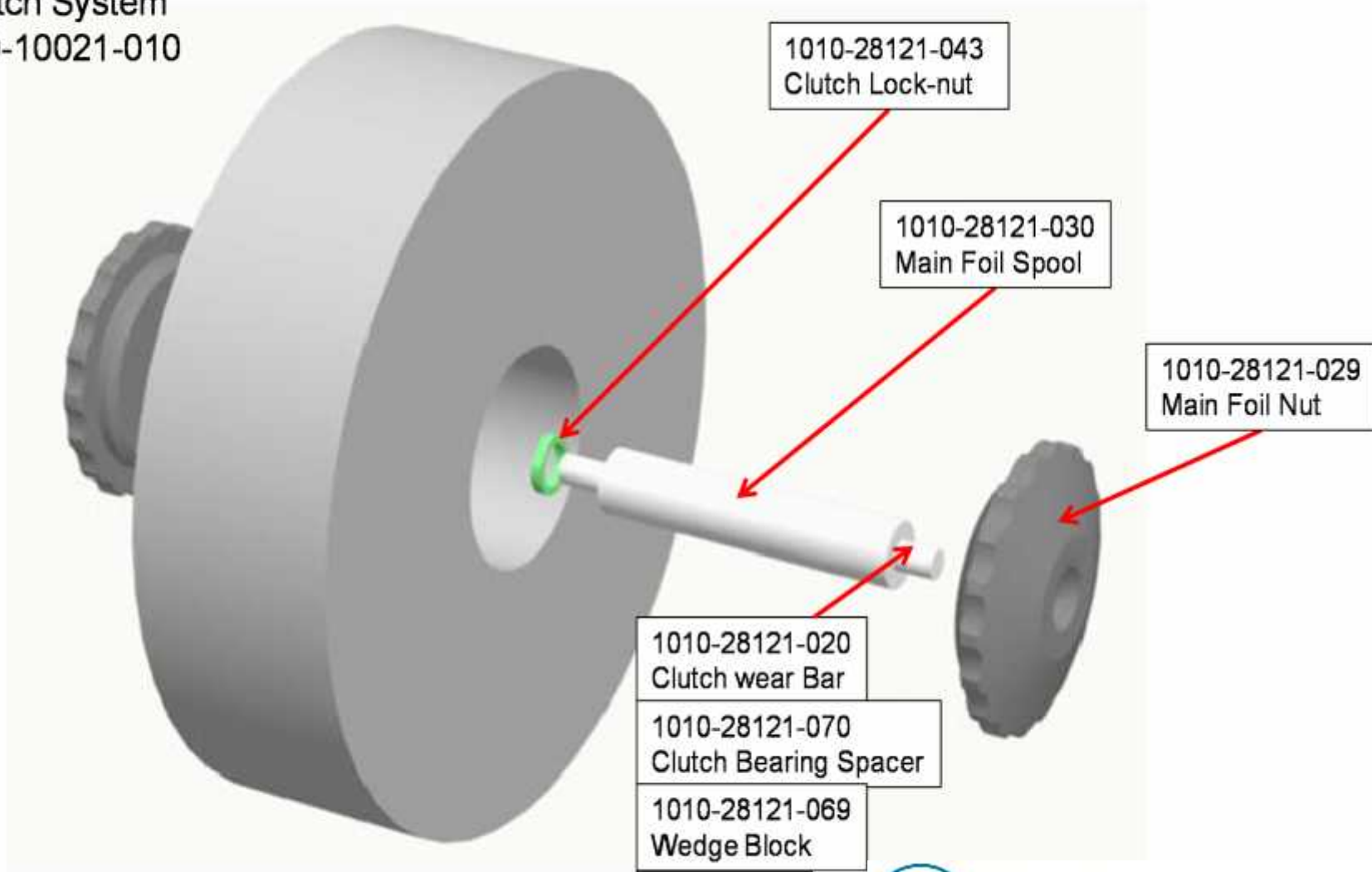
Wasp
Cutting Assembly
200-10021-003



Wasp
Main Base Assembly
200-10021-008



Wasp
Foil Assembly and
Clutch System
200-10021-010



1010-28121-043
Clutch Lock-nut

1010-28121-030
Main Foil Spool

1010-28121-029
Main Foil Nut

1010-28121-020
Clutch wear Bar

1010-28121-070
Clutch Bearing Spacer

1010-28121-069
Wedge Block

3032-10002
'O' rings

Wasp
Side Plate Assembly
200-10021-009

